

No. 659,106.

Patented Oct. 2, 1900.

G. W. SCHELLENBACH.  
LATHE DOG.

(Application filed May 19, 1900.)

(No Model.)

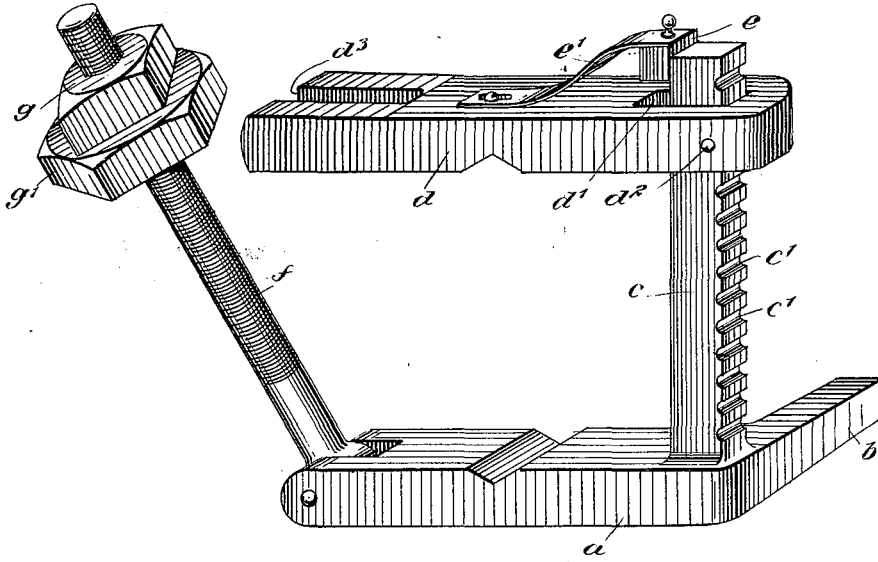


Fig. 1

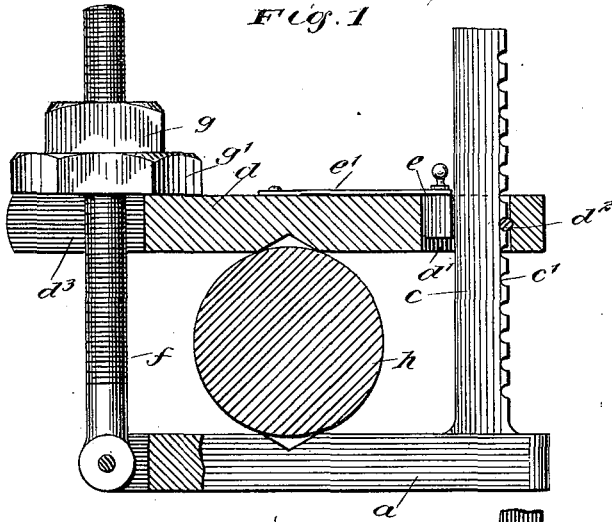


Fig. 2

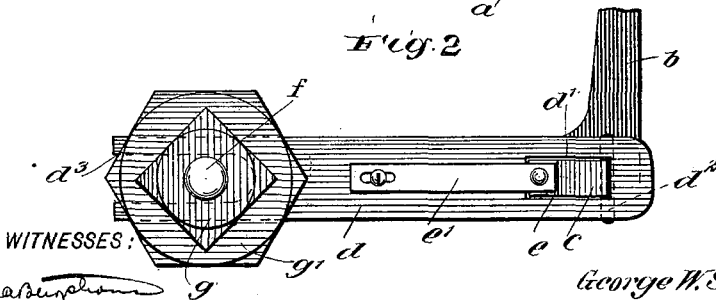


Fig. 3

WITNESSES:

*Johannes Schellbach*  
*J. B. Lewis*

INVENTOR

*George W. Schellenbach.*

BY

*Munn*  
ATTORNEYS

# UNITED STATES PATENT OFFICE.

GEORGE W. SCHELLENBACH, OF JOPLIN, MISSOURI.

## LATHE-DOG.

SPECIFICATION forming part of Letters Patent No. 659,106, dated October 2, 1900.

Application filed May 19, 1900. Serial No. 17,285. (No model.)

*To all whom it may concern:*

Be it known that I, GEORGE W. SCHELLENBACH, a citizen of the United States, and a resident of Joplin, in the county of Jasper and State of Missouri, have invented a new and Improved Lathe-Dog, of which the following is a full, clear, and exact description.

The purpose of this invention is to provide a lathe-dog which may be more conveniently and securely fitted to the work than those heretofore in use and also in which adjustments of a much wider range may be had.

This specification is the disclosure of one form of the invention, while the claims define the actual scope thereof.

Reference is to be had to the accompanying drawings, forming a part of this specification, in which similar characters of reference indicate corresponding parts in all the views.

Figure 1 is a perspective view of the invention with the parts in open position. Fig. 2 is a sectional view with the parts closed, and Fig. 3 is a plan view of the dog as in Fig. 2.

The lathe-dog has a base portion *a*, forming the main or stationary jaw, from one end of which a tail *b* projects, to be used in the usual manner. Rigidly carried on the end of the jaw *a* at which the tail is secured is an arm *c*, the outer side of which is formed with transversely-disposed notches *c'* therein. This arm *c* is fitted in an opening *d'*, formed in the upper or movable jaw *d*. This jaw is provided with a pin *d<sup>2</sup>*, which passes transversely through the opening *d'* and forms a tooth-like projection on one wall of said opening, such pin being adapted to lie in any one of the notches *c'*, as shown. A key *e* is carried on the free end of a spring *e'*, the other end of which is fastened to the top of the jaw *d*, the key being placed so that it may project into the opening *d'* and hold the jaw *d*, with the pin *d<sup>2</sup>*, engaged with the walls of the appropriate notch *c'*, and thus prevent the movement of the jaw *d* on the arm *c*. By raising the key *e*, as shown in Fig. 1, the jaw *d* may be moved to any desired position on the arm *c*. The end of the jaw *a* opposite to the arm *c* carries pivotally a screw *f*, the free portion of which is adapted to swing through a longitudinally-disposed slot *d<sup>3</sup>* in the end of the jaw *d* opposite the opening *d'*. A duplex nut compris-

ing a square upper part *g* and a hexagonal lower part *g'* works on the screw *f*, and by means of this nut the jaw *d* may be forced down toward the jaw *a*, it being understood that the jaw *d* may have slight swinging movement on the arm *c*, notwithstanding that the key *e* is in place, since the pin *d<sup>2</sup>* forms a pivot upon which the jaw *d* may have limited swinging movement. The working faces of the jaws *a* and *d* may be notched, as shown, or shaped in any other manner desired to cause them effectively to engage the work, which is represented at *h* in Fig. 2.

The use of my invention will be fully understood by those skilled in the art. It only remains for me to point out that by the construction which I have devised the dog may be very rapidly adjusted to and secured on the work and that a much wider range of adjustment may be had with this device than with those usually employed.

Having thus described my invention, I claim as new and desire to secure by Letters Patent—

1. A lathe-dog having two jaws, an arm connecting the same, one of the jaws having an opening through which the arm is loosely passed, and the arm being formed with a notch or notches therein adapted to receive a tooth-like portion of the jaw having the opening, a key adapted to fit in the opening to secure the jaw on the arm, and a spring mounted on the jaw and carrying the key.

2. A lathe-dog, having two jaws, one of which has an opening therein with a tooth-like projection on one of its walls, an arm attached to the other jaw and projected through the opening in the first-named jaw, the arm being formed with notches the walls of which are engaged by the said tooth-like projection on the first-named jaw, and a removable key serving to hold the arm in the opening of the first-named jaw.

In testimony whereof I have signed my name to this specification in the presence of two subscribing witnesses.

GEORGE W. SCHELLENBACH.

Witnesses:

C. E. DAVIS,  
FRED COOK.